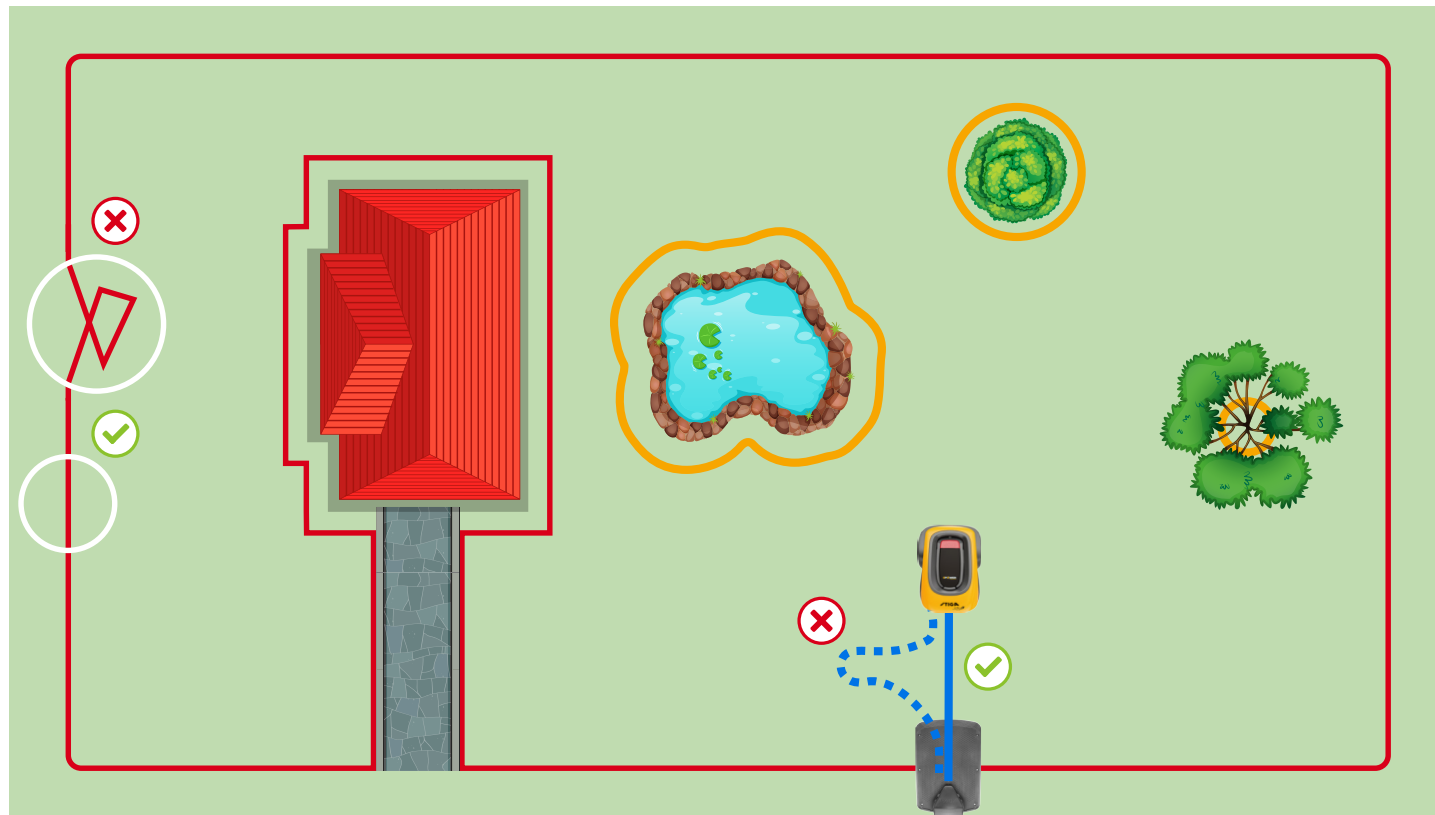
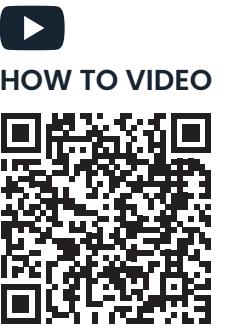


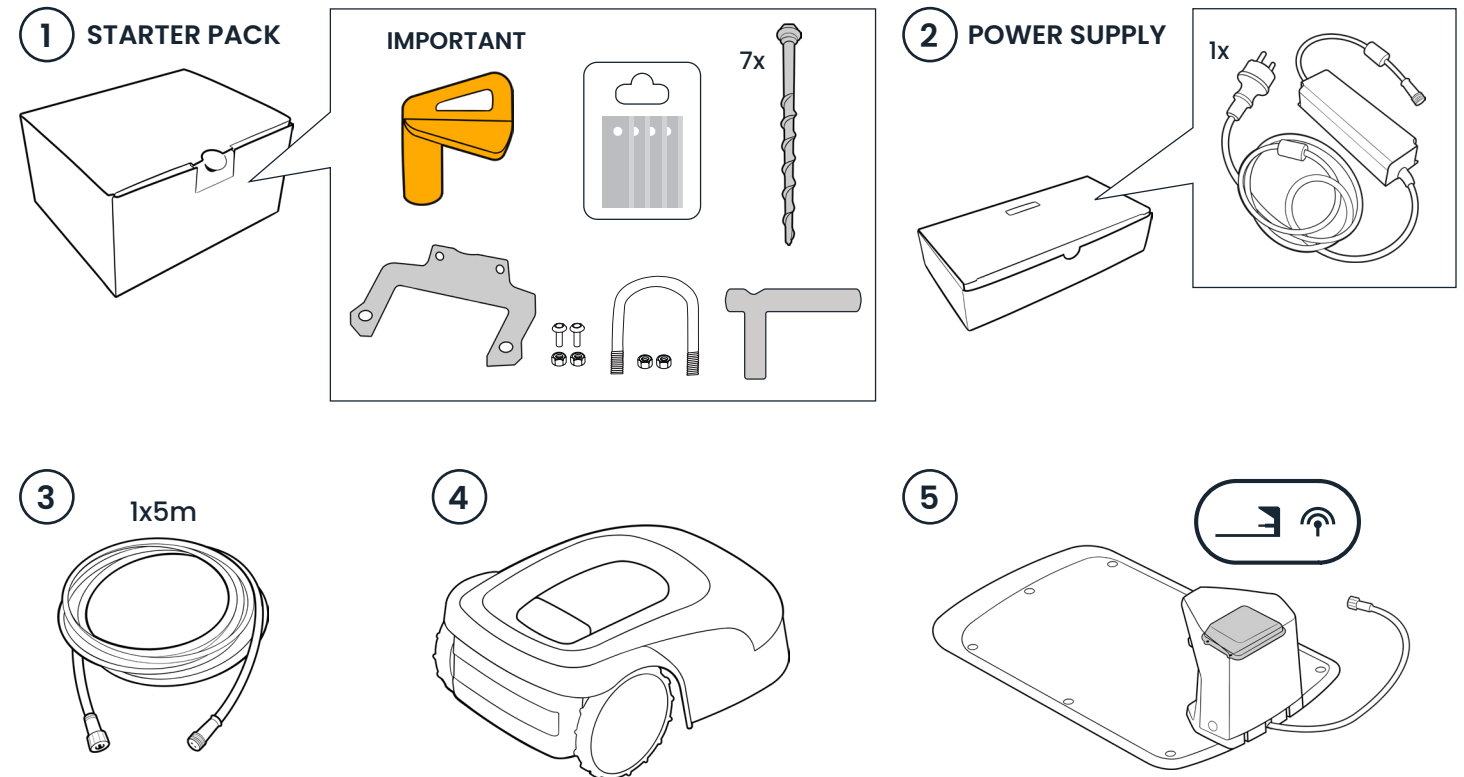
- 1 — Registered robot perimeter
- 2 — Registered link path to charging base
- 3 — Excluded zones



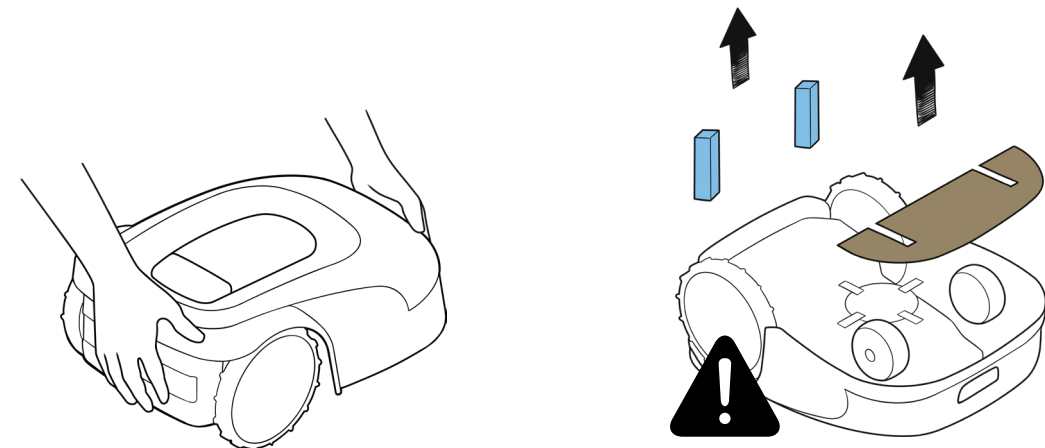
Quick guide Autonomous robot mower



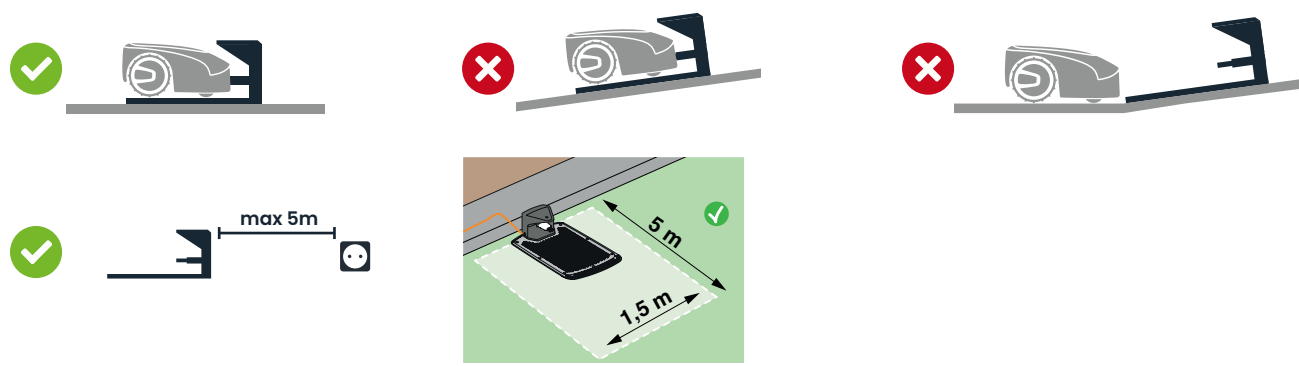
What's in the box



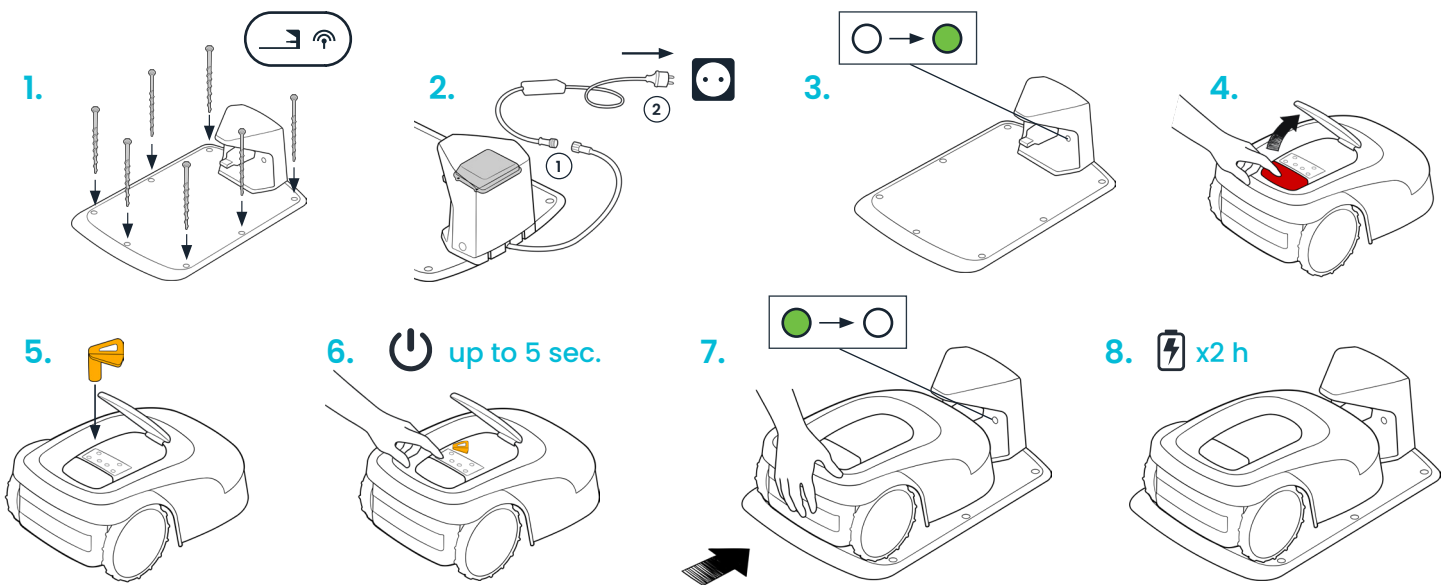
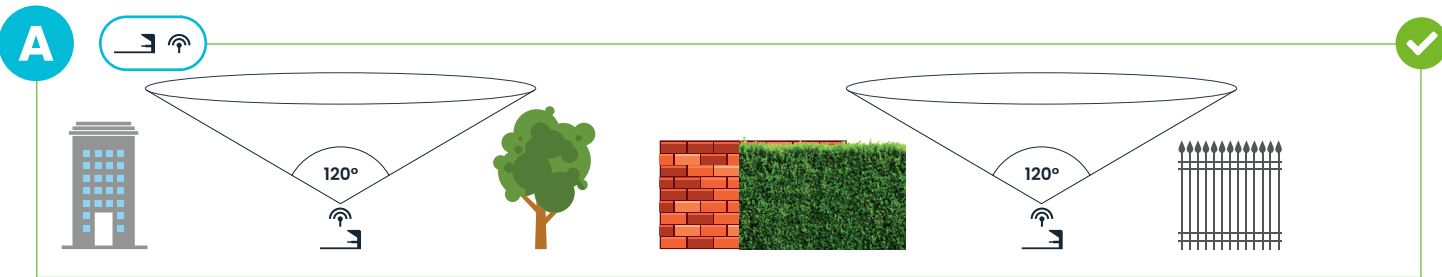
Unboxing steps



Charging station positioning



Reference station positioning



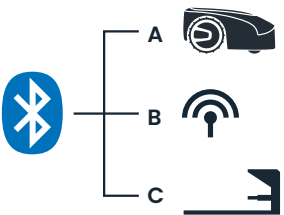
STIGA.GO App

1. Download STIGA.GO App

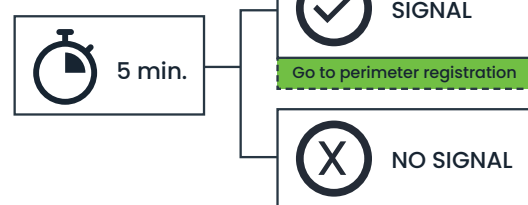


2. Enter STIGA.GO App

3. Bluetooth® pairing



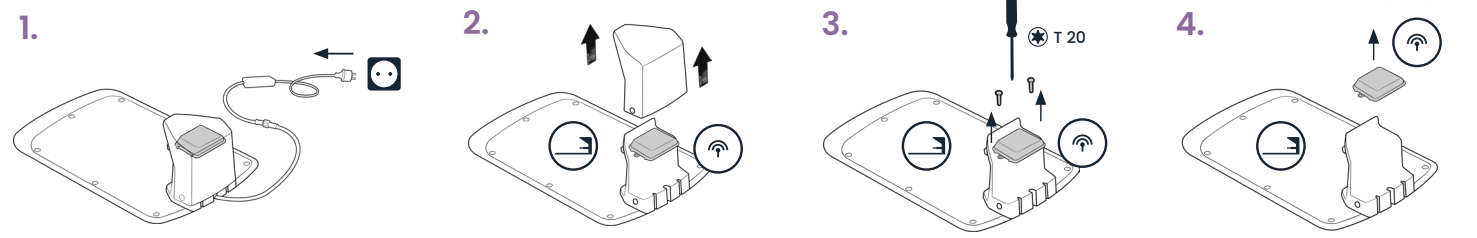
4. Initialization



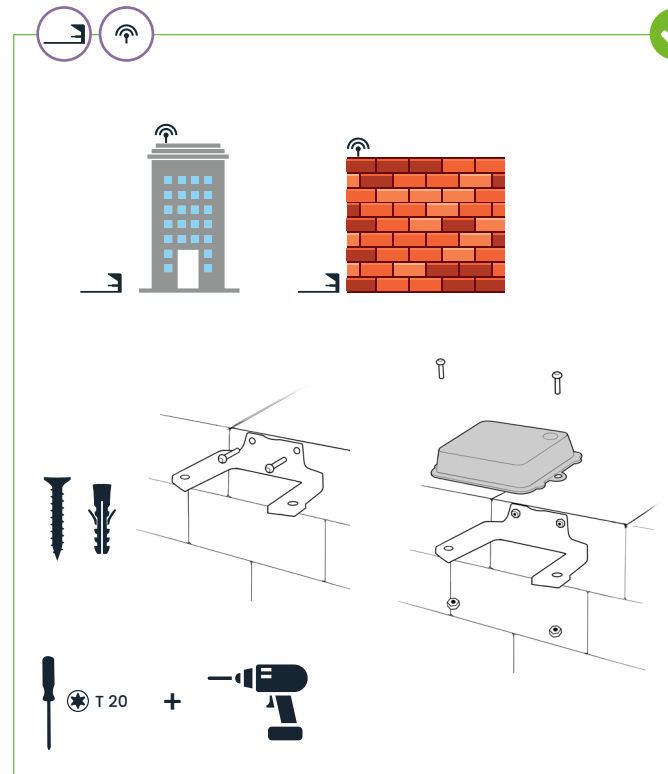
in App

B

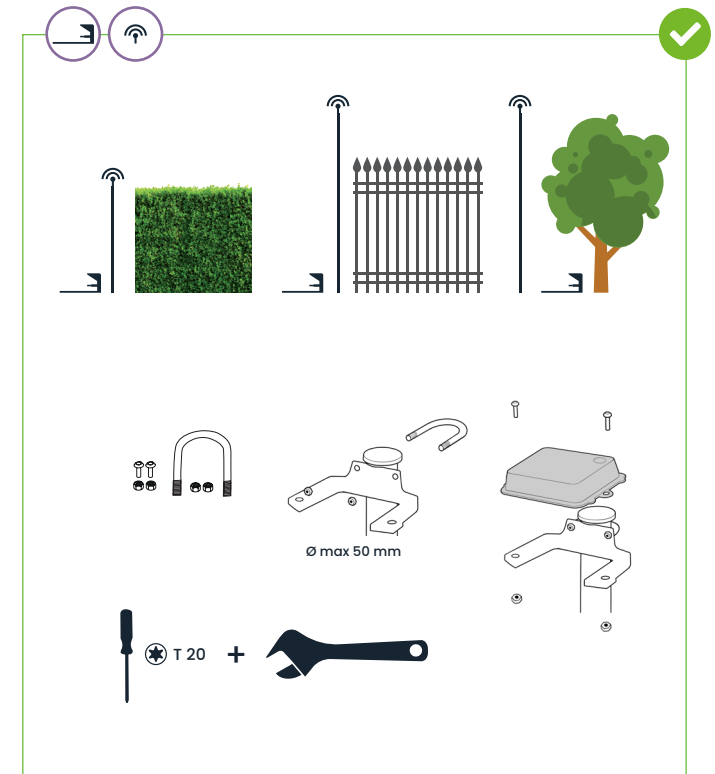
B



5.a



5.b

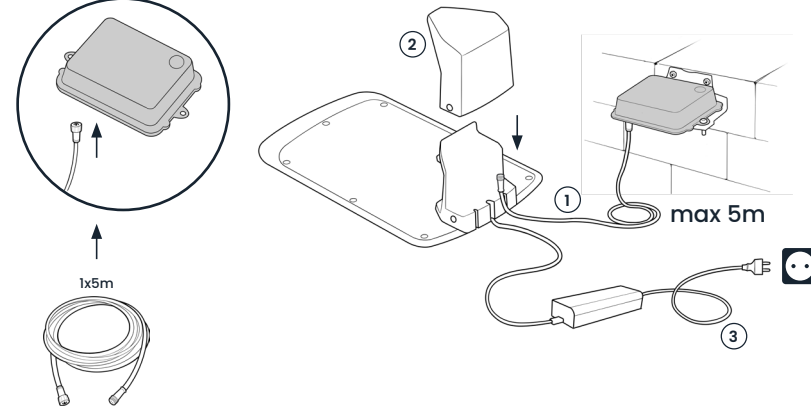


DISTANCE CHARGING/REFERENCE > 5m

OPTIONAL:

- 1. additional extension cable 15m
CODE: 1127-0020-01
- 2. additional power supply unit
CODE: 118204158/0 (EU plug) - 118204161/0 (UK plug)

6.a



Enter STIGA.GO App

Initialization

